

DesignLite range with DL.CLS.HLU/D.10W



HYLO— up / down lighter

Replaces:

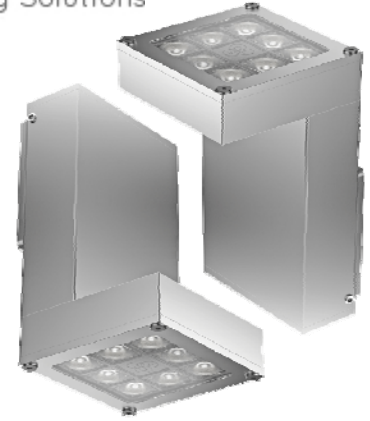
: 25W Metal Halide; 50W Halogen

Applications:

Retail, Commercial & Architectural Illumination

Warranty (Yrs.)

3



- Choice of multiple colours of LED light sources and a variety of beam angles.
- Up to 80% energy savings compared to traditional light sources.
- High light output due the latest generation of Luxeon/Cree LEDs in combination with high quality optics.
- Massive aluminum CNC housing for optimum cooling properties.
- Built-in 180-264 VAC power supply for easy installation.

Finish	Grey Powder coat	Beam Angle (°FWHM)	8, 12, 30, 54, 12x46
IP Rating	40	Flux (Lm)	900lm
System Power (W)	20	CRI (Ra4)	85
Input Voltage (V)	200—277 V AC	CCT (K)	2700K - 6300K R, G, B, A
Input frequency (Hz)	50/60	Life Expectancy (Hrs.)	50,000
Power Factor (cos phi)	>0.95		
Operating temp. (°C)	10 ~ 40		
Storage temp. (°C)	0 ~40		
Weight (gr)	1900		
Dimensions (mm): LxWxH	99 x 99 x 175		

